



Husqvarna[®]



325iLK

Contents

Introduction.....	2	Troubleshooting.....	13
Safety.....	3	Transportation, storage and disposal.....	13
Assembly.....	9	Technical data.....	14
Operation.....	10	Accessories.....	15
Maintenance.....	12	EC Declaration of Conformity.....	16

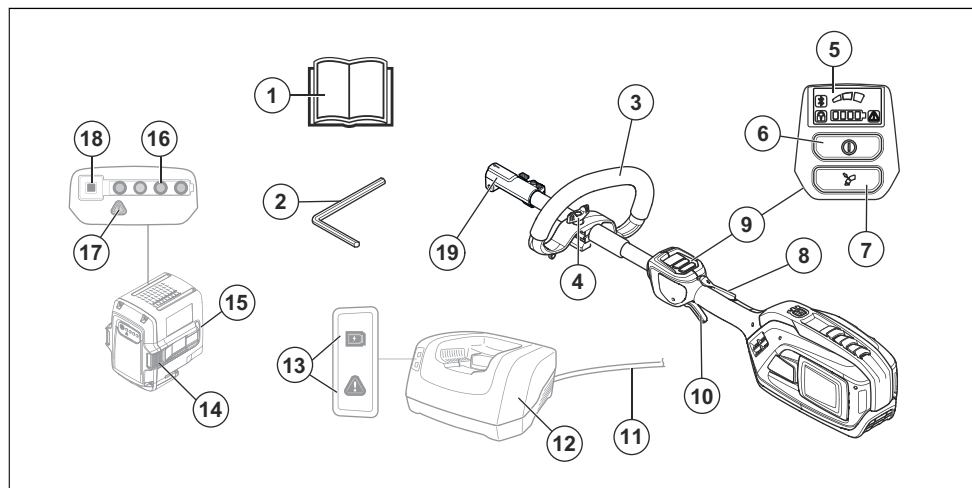
Introduction

Intended use

This power unit is a bare unit that only function together with approved accessories, see those approved

accessories in *Accessories on page 15*. Make sure to read this manual together with the approved accessory manual.

Product overview



1. Operator's manual
2. 4 mm hex
3. Loop handle
4. Knob
5. User interface
6. Start/stop button
7. Speed mode button
8. Power trigger lockout
9. Keypad
10. Power trigger
11. Battery charger cord
12. Battery charger
13. Power and Warning LED
14. Battery release buttons
15. Battery

16. LED indicator for the state of charge
17. Warning LED
18. Battery indicator button
19. Coupling for attachment

Symbols on the product



WARNING! This product can be dangerous! Careless or incorrect use can result in serious or fatal injury to the operator or others. It is extremely important that you read and understand the contents of the operator's manual. Please read the operator's manual carefully and make sure you understand the instructions before the product is used.



Maximum speed of the output shaft.



Rated voltage, V



Direct current.



The product agrees with the applicable EC directives.



Symbols on the product or its packaging indicate that this product cannot be handled as domestic waste. This product must be deposited at an appropriate recycling facility.



Do not use in rain.

yyyywwxxxx

The rating plate shows the serial number. **yyyy** is the production year, **ww** is the production week and **xxxx** is the sequential number.

Note: Other symbols/decals on the product refer to certification requirements for other commercial areas.

Manufacturer

Husqvarna AB

Drottninggatan 2, SE-561 82 Huskvarna, Sweden, tel: +46-36-146500

Product liability

As referred to in the product liability laws, we are not liable for damages that our product causes if:

- the product is incorrectly repaired.
- the product is repaired with parts that are not from the manufacturer or not approved by the manufacturer.
- the product has an accessory that is not from the manufacturer or not approved by the manufacturer.
- the product is not repaired at an approved service center or by an approved authority.

Safety

Safety definitions

Warnings, cautions and notes are used to point out specially important parts of the manual.



WARNING: Used if there is a risk of injury or death for the operator or bystanders if the instructions in the manual are not obeyed.



CAUTION: Used if there is a risk of damage to the product, other materials or the adjacent area if the instructions in the manual are not obeyed.

Note: Used to give more information that is necessary in a given situation.

General power tool safety warnings



WARNING: Make sure to read the approved accessory manual together with this power units manual.



WARNING: Read all safety warnings, instructions, illustrations and specifications provided with this power tool. Failure to

follow all instructions listed below may result in electric shock, fire and/or serious injury.

Note: Save all warnings and instructions for future reference.

The term "power tool" in the warnings refers to your mains-operated (corded) power tool or battery-operated (cordless) power tool.

Work area safety

- **Keep work area clean and well lit.** Cluttered or dark areas invite accidents.
- **Do not operate power tools in explosive atmospheres, such as in the presence of flammable liquids, gases or dust.** Power tools create sparks which may ignite the dust or fumes.
- **Keep children and bystanders away while operating a power tool.** Distractions can cause you to lose control.

Electrical safety

- **Power tool plugs must match the outlet. Never modify the plug in any way. Do not use any adapter plugs with earthed (grounded) power tools.** Unmodified plugs and matching outlets will reduce risk of electric shock.
- **Avoid body contact with earthed or grounded surfaces, such as pipes, radiators, ranges and**

refrigerators. There is an increased risk of electric shock if your body is earthed or grounded.

- **Do not expose power tools to rain or wet conditions.** Water entering a power tool will increase the risk of electric shock.
- **Do not abuse the cord. Never use the cord for carrying, pulling or unplugging the power tool. Keep cord away from heat, oil, sharp edges or moving parts.** Damaged or entangled cords increase the risk of electric shock.
- **When operating a power tool outdoors, use an extension cord suitable for outdoor use.** Use of a cord suitable for outdoor use reduces the risk of electric shock.
- **If operating a power tool in a damp location is unavoidable, use a residual current device (RCD) protected supply.** Use of a RCD reduces the risk of electric shock.

Personal safety

- **Stay alert, watch what you are doing and use common sense when operating a power tool. Do not use a power tool while you are tired or under the influence of drugs, alcohol or medication.** A moment of inattention while operating power tools may result in serious personal injury.
- **Use personal protective equipment. Always wear eye protection.** Protective equipment such as dust mask, non-skid safety shoes, hard hat or hearing protection used for appropriate conditions will reduce personal injuries.
- **Prevent unintentional starting. Ensure the switch is in the off-position before connecting to power source and/or battery pack, picking up or carrying the tool.** Carrying power tools with your finger on the switch or energising power tools that have the switch on invites accidents.
- **Remove any adjusting key or wrench before turning the power tool on.** A wrench or a key left attached to a rotating part of the power tool may result in personal injury.
- **Do not overreach. Keep proper footing and balance at all times.** This enables better control of the power tool in unexpected situations.
- **Dress properly. Do not wear loose clothing or jewellery. Keep your hair and clothing away from moving parts.** Loose clothes, jewellery or long hair can be caught in moving parts.
- **If devices are provided for the connection of dust extraction and collection facilities, ensure these are connected and properly used.** Use of dust collection can reduce dust-related hazards.
- **Do not let familiarity gained from frequent use of tools allow you to become complacent and ignore tool safety principles.** A careless action can cause severe injury within a fraction of a second.

Power tool use and care

- **Do not force the power tool. Use the correct power tool for your application.** The correct power tool will do the job better and safer at the rate for which it was designed.
- **Do not use the power tool if the switch does not turn it on and off.** Any power tool that cannot be controlled with the switch is dangerous and must be repaired.
- **Disconnect the plug from the power source and/or remove the battery pack, if detachable, from the power tool before making any adjustments, changing accessories, or storing power tools.** Such preventive safety measures reduce the risk of starting the power tool accidentally.
- **Store idle power tools out of the reach of children and do not allow persons unfamiliar with the power tool or these instructions to operate the power tool.** Power tools are dangerous in the hands of untrained users.
- **Maintain power tools and accessories. Check for misalignment or binding of moving parts, breakage of parts and any other condition that may affect the power tool's operation. If damaged, have the power tool repaired before use.** Many accidents are caused by poorly maintained power tools.
- **Keep cutting tools sharp and clean.** Properly maintained cutting tools with sharp cutting edges are less likely to bind and are easier to control.
- **Use the power tool, accessories and tool bits etc. in accordance with these instructions, taking into account the working conditions and the work to be performed.** Use of the power tool for operations different from those intended could result in a hazardous situation.
- **Keep handles and grasping surfaces dry, clean and free from oil and grease.** Slippery handles and grasping surfaces do not allow for safe handling and control of the tool in unexpected situations.

Battery tool use and care

- **Recharge only with the charger specified by the manufacturer.** A charger that is suitable for one type of battery pack may create a risk of fire when used with another battery pack.
- **Use power tools only with specifically designated battery packs.** Use of any other battery packs may create a risk of injury and fire.
- **When battery pack is not in use, keep it away from other metal objects, like paper clips, coins, keys, nails, screws or other small metal objects, that can make a connection from one terminal to another.** Shorting the battery terminals together may cause burns or a fire.
- **Under abusive conditions, liquid may be ejected from the battery; avoid contact. If contact accidentally occurs, flush with water. If liquid contacts eyes, additionally seek medical help.** Liquid ejected from the battery may cause irritations or burns.

- **Do not use a battery pack or tool that is damaged or modified.** Damaged or modified batteries may exhibit unpredictable behaviour resulting in fire, explosion or risk of injury.
- **Do not expose a battery pack or tool to fire or excessive temperature.** Exposure to fire or temperature above 130 °C may cause explosion.
- **Follow all charging instructions and do not charge the battery pack or tool outside the temperature range specified in the instructions.** Charging improperly or at temperatures outside the specified range may damage the battery and increase the risk of fire.

Service

- **Have your power tool serviced by a qualified repair person using only identical replacement parts.** This will ensure that the safety of the power tool is maintained.
- **Never service damaged battery packs.** Service of battery packs should only be performed by the manufacturer or authorized service providers.

Other general safety information

- Deactivate the product before you move to another area. Always remove the battery when passing the product to another person.
- Never put the product down unless you have deactivated it and removed the battery. Do not leave the product unsupervised when it is switched on.
- The cutting tool does not stop immediately after the product is turned off.
- Before using the product and after any impact, check for signs of wear or damage and repair as necessary.
- If anything jams in the cutting attachment while you operate the product, stop and deactivate the product. Make sure that the cutting attachment stops completely. Remove the battery before you clean, inspect or repair the product and/or the cutting equipment.
- Do a check of the product before use. Refer to, *Safety devices on the product on page 7 and Maintenance on page 12.* Do not use a defective product. Do the safety checks, maintenance and service instructions described in this manual.
- Faulty cutting attachment can increase the risk of accidents.
- Check the gear for dirt and cracks. Clean off grass and leaves from the gear using a brush. Gloves should be worn when necessary.
- Always ensure that ventilation openings are kept clear of debris.
- Check that the trimmer head is completely attached to the trimmer.
- All covers, guards and handles must be fitted before starting.
- Check that the product is in perfect working order. Check that all nuts and screws are tight.
- Check that the trimmer head and trimmer guard are not damaged or cracked. Replace the trimmer head or trimmer guard if it has been exposed to impact or are cracked. Always use the recommended guard for the cutting attachment you are using. See chapter on Technical data.
- This product is a dangerous tool if you are not careful or if you use the product incorrectly. This product can cause serious injury or death to the operator or others.
- This appliance is not intended for use by persons (including children) with reduced physical, sensory or mental capabilities, or lack of experience and knowledge, unless they have been given supervision or instruction concerning use of the appliance by a person responsible for their safety. Children should be supervised to ensure that they do not play with the appliance.
- Never allow children to use or be in the vicinity of the machine. Since the machine is easy to start, children may be able to start it if they are not kept under full surveillance. This can mean a risk of serious personal injury. Therefore disconnect the battery when the machine is not under close supervision.
- Never allow children or other persons not trained in the use of the product and/or the battery to use or service it.
- Store the equipment in a lockable area so that it is out of reach of children and unauthorized persons.
- The transport guard must always be used for storage and transport.
- Keep hands and feet away from the cutting area at all times and especially when switching on the motor.
- Keep your hands and feet away from the cutting attachment until it has stopped completely when the product is deactivated.
- Do not remove the cut material, or let other persons remove cut material, while the product is activated or the cutting equipment rotates, as this can result in serious injury.
- Keep in mind that it is you, the operator that is responsible for not exposing people or their property to accidents or hazards.
- Under no circumstances may the design of the product be modified without the permission of the manufacturer. Always use original accessories. Non-authorized modifications and/or accessories can result in serious personal injury or the death of the operator or others. Your warranty may not cover damage or liability caused by the use of non-authorized accessories or replacement parts.
- The only accessories you can operate with this product are the cutting attachments recommended in the technical data chapter.
- Never use a product that has been modified in any way from its original specification
- Never use a product that is faulty. Carry out the safety checks, maintenance and service instructions

described in this manual. Some maintenance and service measures must be carried out by trained and qualified specialists. See instructions under the Maintenance heading.

- Working in bad weather is tiring and often brings added risk. Due to the added risk, it is not recommended to use the machine in very bad weather, for instance in dense fog, heavy rain, strong winds, intense cold, risk of lightning, etc
- Never work from a ladder, stool or any other raised position that is not fully secured.
- Store Idle Appliances Indoors – When not in use, appliances should be stored indoors
- It is not possible to cover every conceivable situation you can face. Always exercise care and use your common sense. Avoid all situations which you consider to be beyond your capability. If you still feel uncertain about operating procedures after reading these instructions, you should consult an expert before continuing.
- Ensure that no people or animals come closer than 15 meters while you work. When several operators are working in the same area the safety distance should be at least 15 metres. Otherwise there is a risk of serious personal injury. Stop the product immediately if anyone approaches. Never swing the product around without first checking behind you to make sure that no one is within the safety zone.
- If anything jams in the cutting attachment while you operate the product, stop and deactivate the product. Make sure that the cutting attachment stops completely. Remove the battery before you clean, inspect or repair the product and/or the cutting equipment.
- Ensure that people, animals or other things can not affect your control of the product or that they do not come in contact with the cutting attachment or loose objects that are thrown out by the cutting attachment. However, do not use the product unless you are able to call for help in the event of an accident.
- Make sure that you can move and stand safely. Check the area around you for possible obstacles (roots, rocks, branches, ditches, etcetera) in case you have to move suddenly. Take great care when you work on sloping ground.
- Walk, never run.
- Inspect the working area. Remove all loose objects, such as stones, broken glass, nails, steel wire, string etc. that could be thrown out or become wrapped around the cutter or cutter guard.
- Watch out for stumps of branches that can be thrown out when you cut. Do not cut too close to the ground where stones and other objects can be thrown out.
- Make sure that no clothes or parts of the body come in contact with the cutting attachment when the product is activated. Keep the product below waist level.
- Watch out for thrown objects. Always wear approved eye protection. Never lean over the cut-ting

attachment guard. Stones, rubbish, etc., can be thrown up into the eyes which can cause blindness or serious injury.

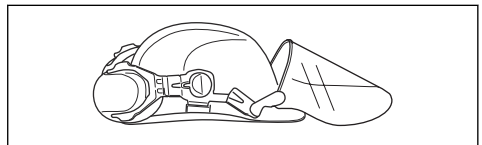
- Listen out for warning signals or shouts when you wear hearing protection. Always remove your hearing protection as soon as the product stops.
- If any unwanted vibrations occur, tap out new line to give the line the correct length to stop the vibrations.
- If the product starts vibrating abnormally, stop the product and remove the battery.
- Overexposure to vibration can lead to circulatory damage or nerve damage in persons who have poor circulation. Speak to your physician if you experience symptoms of overexposure to vibration. Such symptoms include numbness, loss of feeling, tingling, pricking, pain, loss of strength, changes in skin color or condition. These symptoms usually show in the fingers, hands or wrists.
- Always hold the product with both hands. Hold the product on the right side of your body.

Personal protective equipment

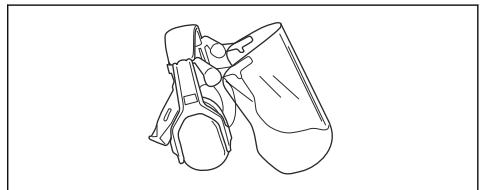


WARNING: Read the warning instructions that follow before you use the product.

- Always use approved personal protective equipment when you use the product. Personal protective equipment cannot fully prevent injury but it decreases the degree of injury if an accident does occur. Let your dealer help you select the right equipment.
- Use a protective helmet where there is a risk of falling objects.

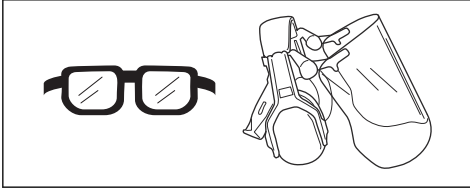


- Use approved hearing protection that provides adequate noise reduction. Long-term exposure to noise can result in permanent hearing impairment.

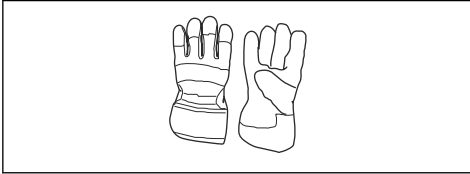


- Use approved eye protection. If you use a visor, you must also use approved protective goggles. Approved protective goggles must comply with the

ANSI Z87.1 standard in the USA or EN 166 in EU countries.



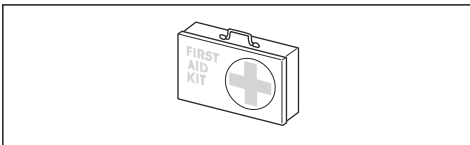
- Use gloves when necessary, for example when you attach, examine or clean the cutting equipment.



- Use sturdy non-slip boots.



- Use clothing made of a strong fabric. Always use heavy, long pants and long sleeves. Do not use loose clothing that can catch on twigs and branches. Do not wear jewelry, short pants, sandals or go with bare feet. Put your hair up safely above shoulder level.
- Keep first aid equipment close at hand.



Safety devices on the product



WARNING: Read the warning instructions that follow before you use the product.

In this section the product's safety features, its purpose and how checks and maintenance should be carried out to ensure that it operates correctly. See instructions under the heading *Introduction on page 2* to find where these parts are located on your product.

The life span of the product can be reduced and the risk of accidents can increase if product maintenance is not

carried out correctly and if service and/or repairs are not carried out professionally. If you need further information please contact your nearest servicing dealer.



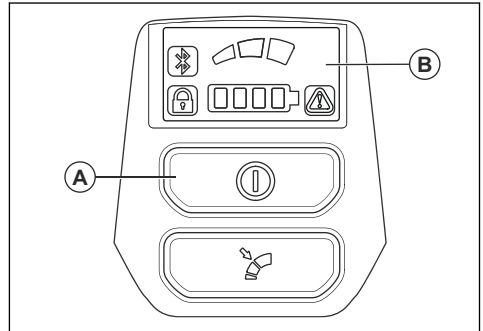
WARNING: Never use a product with defective safety components. The product's safety equipment must be inspected and maintained as described in this section. If your product fails any of these checks, contact your service agent to get it repaired.



CAUTION: All servicing and repair work on the machine requires special training. This is especially true of the machine's safety equipment. If your machine fails any of the checks described below you must contact your service agent. When you buy any of our products we guarantee the availability of professional repairs and service. If the retailer who sells your machine is not a servicing dealer, ask him for the address of your nearest service agent.

To do a check of the keypad

1. Press and hold the start/stop button (A).



- a) The product is on when the display (B) comes on.
 - b) The product is off when the display goes off.
2. If the warning indicator on the display is on or flashes, refer to *Keypad on page 13*.

To do a check of the power trigger lockout

The power trigger lockout is designed to prevent accidental operation. When you push the power trigger lockout forward (1) and then press the power trigger lockout against the handle (2), the power trigger (3) is released. When you release the handle, the power trigger and the power trigger lockout both move back to their original positions. This movement is operated by three independent springs.

6. Release the power trigger and make sure that the cutting attachment stops and remains still.

Safety instructions for assembly



WARNING: Read this power unit manual together with approved accessory manual.

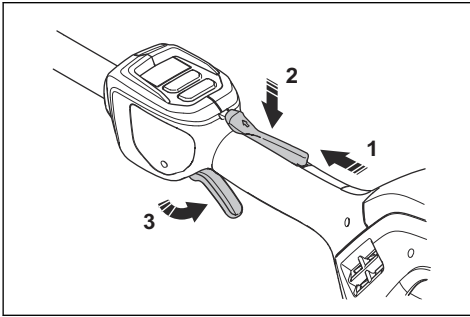
- Remove the battery from the product before you assemble the product.
- Use approved protective gloves.
- A defective or incorrect guard can cause injury. Do not use a cutting attachment that does not have an approved guard attached.
- Make sure that you assemble the cover and shaft correct before you start the product.
- If a harness is supplied with the attachment, the harness must be correctly attached to the product. The harness makes operation safe and prevents injury to the operator or other persons.

Safety instructions for maintenance

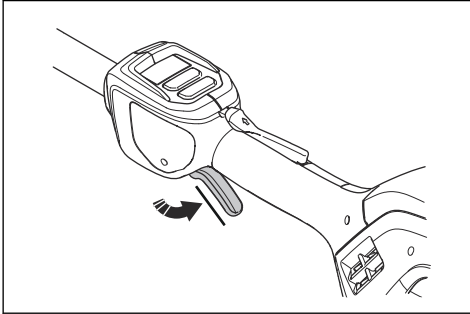


WARNING: Read the warning instructions that follow before you do maintenance on the product.

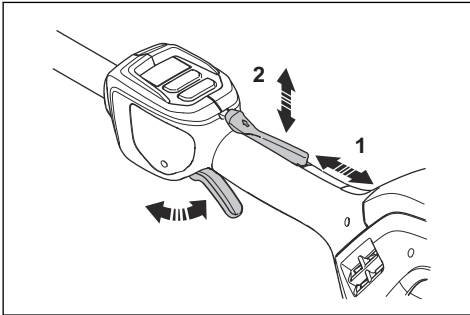
- Remove the battery before you do maintenance, other checks or assemble the product.
- The operator must only do the maintenance and servicing shown in this operator's manual. Turn to your servicing dealer for maintenance and servicing of a larger extension.
- Do not clean the battery or the battery charger with water. Strong detergent can cause damage to the plastic.
- If you do not do maintenance, it decreases the life cycle of the product and increases the risk of accidents.
- Special training is necessary for all servicing and repair work, especially for the safety devices on the product. If not all checks in this operator's manual are approved after you have done maintenance, turn to your servicing dealer. We guarantee that there are professional repairs and servicing available for your product.
- Only use original spare parts.
- Always use heavy duty gloves when you repair the cutting attachment. The blades are very sharp and can easily cause injuries.



1. Make sure that the power trigger is locked when the power trigger lockout is in its original position.



2. Press the power trigger and make sure it returns to its original position when you release it.

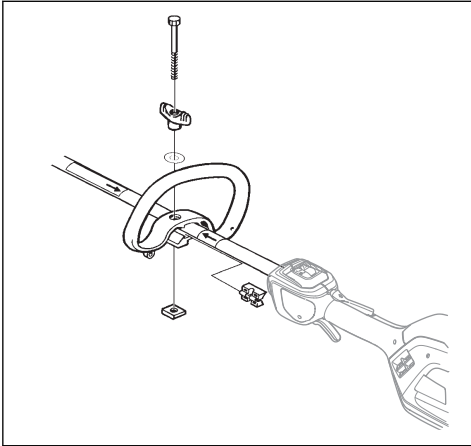


3. Make sure that the power trigger and the power trigger lockout moves freely and that the return spring operates correctly.
4. Start the product, refer to *To start the product on page 11*.
5. Apply full speed.

Assembly

To assemble the loop handle

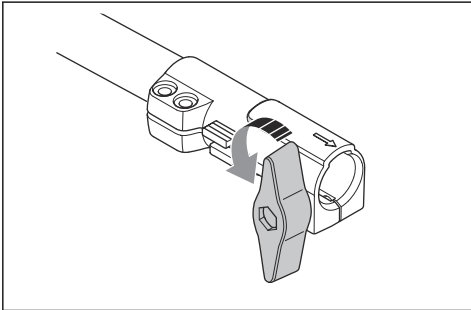
1. Attach the loop handle onto the shaft between the arrows. Do not place loop handle or suspension ring on label.



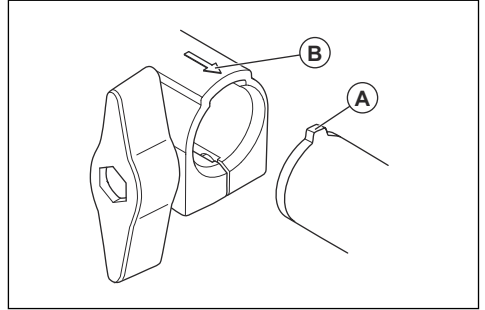
2. Move the spacer into the slot of the loop handle.
3. Attach the nut, the knob and the screw, do not make it to tight.
4. Adjust the product to a comfortable position.
5. Tighten the bolt.

To assemble the two-piece shaft

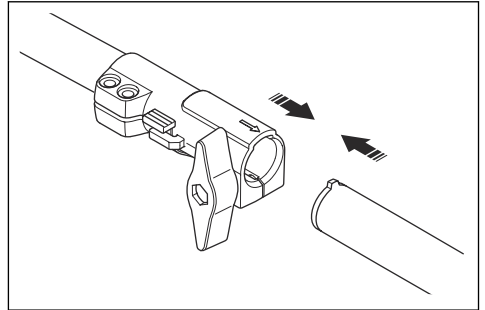
1. Turn the knob to loosen the coupling.



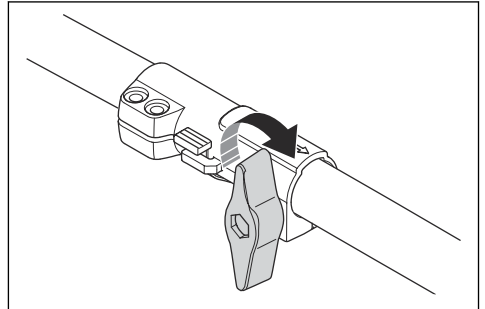
2. Align the tab (A) with the arrow (B) on the coupling.



3. Push the shaft into the coupling until it clicks into position.

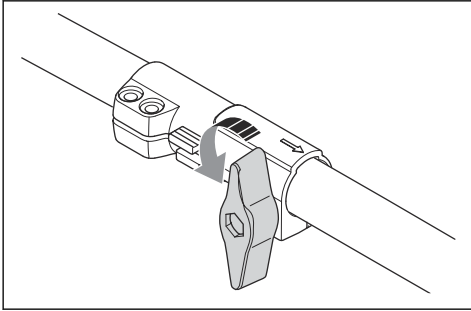


4. Tighten the knob fully.

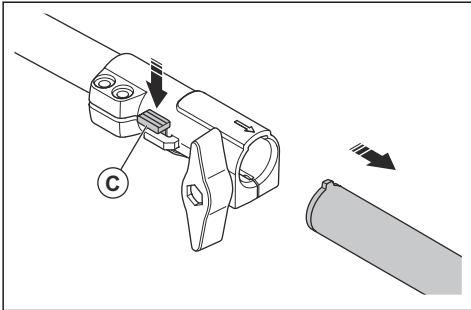


To disassemble the two-piece shaft

1. Turn the knob 3 turns or more to loosen the coupling.

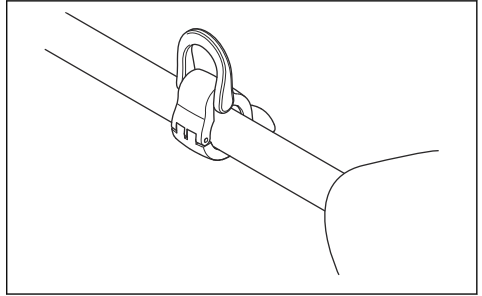


2. Push and hold the button (C).
3. Hold tight in the end of the shaft that the motor is attached to.
4. Pull the attachment out of the coupling.



To install the suspension ring if applicable

1. Install the suspension ring between the arrows on the rear handle and the loop handle.



Note: Do not put the loop handle on the decal.

2. Adjust the ring to make the product balanced, and easy to use.

Operation

Introduction



WARNING: Read and understand the safety chapter before you use the product.

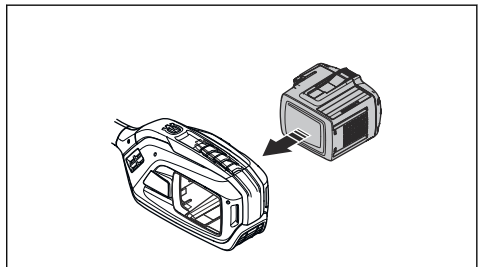
To connect the battery to the product



WARNING: Only use Husqvarna original batteries with the product.

1. Make sure that the battery is fully charged.

2. Push the battery into the battery holder of the product. The battery locks into position when you hear a click.



CAUTION: If the battery does not move easily into the battery holder, the battery is not installed correctly. This can cause damage to the product.

3. Make sure that the battery is installed correctly.

Work position

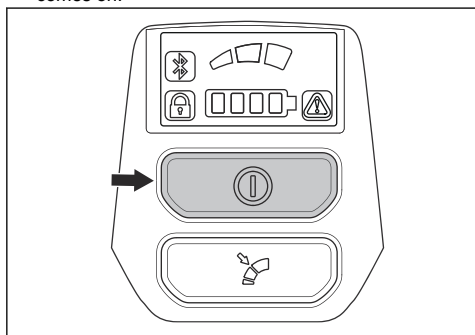
- Hold the product with 2 hands.
- Hold the product on the right side of your body.
- Keep the cutting attachment below waist level.
- Keep body parts away from the hot surfaces.
- Keep body parts away from the cutting attachment.

Before you operate the product

- Examine the work area to make sure that you know the type of terrain, the slope of the ground and if there are obstacles such as stones, branches and ditches.
- Do an overhaul inspection of the product.
- Do the safety inspections, maintenance and servicing that are given in this manual.
- Make sure that all covers, guards, handles and accessories are correctly attached and not damaged.

To start the product

1. Push and hold the start button until the green LED comes on.

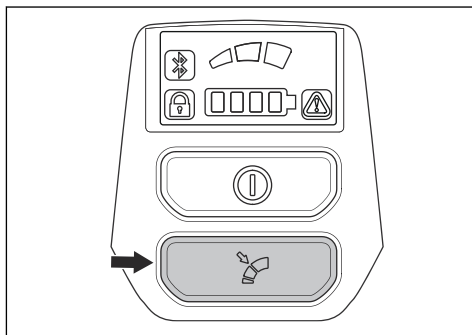


2. Use the power trigger to control the speed.

To limit the maximum speed with the mode button

The product has a mode button. With the mode button the operator can limit the maximum speed. The mode button has 3 speed levels. A lower level increases the time of operation for the product. The mode button has 3 speed levels. A lower level increases the time of operation for the product. Use level 1 and level 2 if the operation does not require full speed/full power. If the operation condition requires full speed/full power, use level 3. Do not use a higher level than necessary for the operation.

1. Push the mode button to set a limit to the maximum speed. The white LEDs come on to show that the function is on.



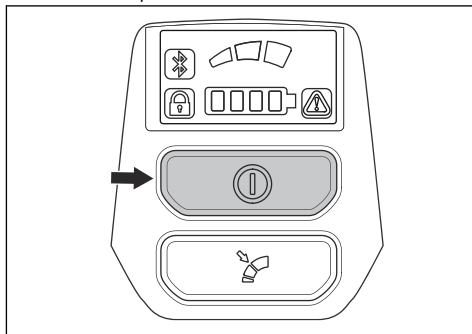
2. Push the Mode button again to choose the next speed level.

Automatic shutdown function

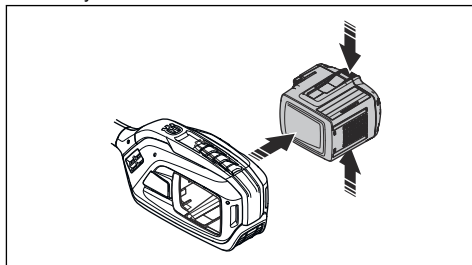
The product is equipped with a shutdown function that deactivates the product if it is not used.

To stop the product

1. Release the power trigger or the power trigger lockout.
2. Push the stop button.



3. Push the release buttons on the battery and pull the battery out.



Maintenance

Introduction



WARNING: Before you do any maintenance work you must read and understand the safety chapter.

Maintenance schedule



WARNING: Remove the battery before you do maintenance.

The following is a list of the maintenance steps that you must do on the product.

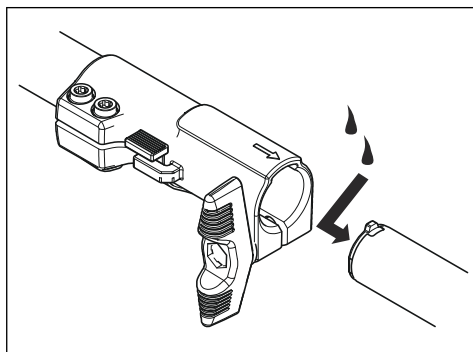
Maintenance	Daily	Weekly	Monthly
Clean the external parts of the product with a dry cloth. Do not use water.	X		
Examine that the start and stop button works correctly and is not damaged.	X		
Make sure that the power trigger and the power trigger lockout function correctly from a safety point of view.	X		
Make sure that all controls work and are not damaged.	X		
Keep the handles dry, clean and free from oil and grease.	X		
Make sure that the screws and nuts are tight.	X		
Make sure that the battery release buttons on the battery works and locks the battery in the product.	X		
Make sure that the battery is not damaged.	X		
Make sure that the battery is charged.	X		
Make sure that the battery charger is not damaged and operates correctly.	X		
Examine all cables, couplings and connections. Make sure they are not damaged and free from dirt.		X	
Do a check of the connections between the battery and the product. Do a check of the connection between the battery and the battery charger.			X

To clean the product, the battery and the battery charger

1. Clean the product with a dry cloth after use.
2. Clean the battery and battery charger with a dry cloth. Keep the battery guide tracks clean.
3. Make sure that the terminals on the battery and the battery charger are clean before the battery is put in the battery charger or the product.

Two piece-shaft

Apply grease to the end of the drive shaft after each 30 hours of operation. There is a risk that the drive shaft ends (splined coupling) on models with two-piece shafts will seize if they are not lubricated regularly.



Troubleshooting

Keypad

LED display	Possible faults	Possible action
Green activate LED flashing	Low battery voltage.	Charge the battery.
Red error LED flashing	Overload.	The cutting attachment is jammed. deactivate the product. Remove the battery. Clean the cutting attachment from unwanted materials.
	Temperature deviation.	Let the product cool down.
	The power trigger and the activate button are pressed at the same time.	Release the power trigger and the product is active.
The product does not start	Dirt in the battery connectors.	Clean the battery connectors with compressed air or a soft brush.
Error LED is lit with red light	The product needs servicing.	Contact your servicing agent.

Transportation, storage and disposal

Transportation and storage

- The supplied Li-ion batteries obey the Dangerous Goods Legislation requirements.
- Obey the special requirement on package and labels for commercial transportation, including by third parties and forwarding agents.
- Speak to a person with special training in dangerous material before you send the product. Obey all applicable national regulations.
- Use tape on open contacts when you put the battery in a package. Put the battery in the package tightly to prevent movement.
- Remove the battery for storage or transportation.
- Put the battery and the battery charger in a space that is dry and free from moisture and frost.
- Do not keep the battery in an area where static electricity can occur. Do not keep the battery in a metal box.
- Put the battery in storage where the temperature is between 5°C/41°F and 25°C/77°F and away from open sunlight.
- Put the battery charger in storage where the temperature is between 5°C/41°F and 45°C/113°F and away from open sunlight.
- Use the battery charger only when the surrounding temperature is between 5°C/41°F and 40°C/104°F.

- Charge the battery 30% to 50% before you put it in storage for long periods.
- Put the battery charger in storage in a space that is closed and dry.
- Keep the battery away from the battery charger during storage. Do not let children and other not approved persons to touch the equipment. Keep the equipment in a space that you can lock.
- Clean the product and do a full servicing before you put the product in storage for a long time.
- Use the transportation guard on the product to prevent injuries or damage on the product during transportation and storage.
- Attach the product safely during transportation.

Disposal of the battery, battery charger and product

Symbols on the product or the package of the product means that the product is not domestic waste. Recycle it at a recycling station for electrical and electronic equipment. This helps to prevent damage to the environment and to persons.

Get in touch with your local authorities, domestic waste service or your dealer for more information about how to recycle your product.

Technical data

Technical data

	325iLK together with approved accessories
Motor	
Motor type	BLDC (brushless) 36V
Speed of output shaft, 1/min	8400
Weight	
Weight (power unit only), kg	2.9
Noise emissions^{1, 2}	
Sound power level, measured dB (A)	89-103
Sound power level, guaranteed L_{WA} dB (A)	90-106
Noise levels^{3, 4}	
Equivalent sound pressure level at the operator's ear, measured according to ISO 22868, dB (A):	78-93
Vibration levels^{5, 6}	
Vibration levels at handles, measured according to ISO 22867, m/s ²	1.3-5.5/1.1-3.1

Approved batteries

Battery	BLI 200
Type	Lithium-ion
Battery capacity, Ah	5.2
Nominal voltage, V	36
Weight, kg (lb)	1.3 (2.9)

¹ Noise emissions in the environment measured as sound power (LWA) in conformity with EC directive 2000/14/EC. Reported sound power level for the machine has been measured with the original cutting attachment that gives the highest level. The difference between guaranteed and measured sound power is that the guaranteed sound power also includes dispersion in the measurement result and the variations between different machines of the same model according to Directive 2000/14/EC.

² The noise range states the lowest to the highest measured value.

³ Reported data for sound pressure level for the machine has a typical statistical dispersion (standard deviation) of 3 dB (A) and has been measured with the original attachment that gives the highest level.

⁴ The noise range states the lowest to the highest measured value.

⁵ Reported data for vibration level has a typical statistical dispersion (standard deviation) of 2 m/s². For comparison of vibrations levels, battery and combustion products use vibration calculator. <https://www.husqvarna.com/uk/services-solutions/vibration-calculator/>.

⁶ The noise range states the lowest to the highest measured value.

Approved battery chargers

Battery charger	QC330
Input voltage, V	100-240
Frequency, Hz	50-60
Power, W	330

Accessories

Attachments

Approved attachments	Attach- ment num- ber⁷	Attach- ment group⁸	Use with
Brush cutter attachment BCA850	1	1-10	325iLK
Blower attachment BA101	11	11-20	325iLK
Edger attachment ECA850	21	21-30	325iLK
Edger attachment ESA850	22	21-30	325iLK
Hedge trimmer attachment HA850	31	31-40	325iLK
Polesaw attachment PAX730	41	41-50	325iLK
Polesaw attachment PAX1100	42	41-50	325iLK
Saw attachment PA1100	43	41-50	325iLK
Clean sweep attachment SR600-2	51	51-60	325iLK
Bristle brush attachment BR600	52	51-60	325iLK
Dethatcher attachment DT600	53	51-60	325iLK
Cultivator attachment CA230	54	51-60	325iLK

⁷ This is a specific number of an approved attachment within in an attachment group.

⁸ The approved attachments are divided into attachment groups. Each attachment group has similar features and decals.

EC Declaration of Conformity

EC Declaration of conformity

Husqvarna AB, SE-561 82 Huskvarna, Sweden, tel: +46-36-146500, declares under sole responsibility that the battery Husqvarna 325iLK from 2019's serial numbers and onwards (the year is clearly stated in plain text on the type plate with subsequent serial number), are together with attachment that is included in this manual in conformity with the requirements of the COUNCIL'S DIRECTIVES:

- of May 17, 2006 "relating to machinery" **2006/42/EC**.
- of February 26, 2014 "relating to electromagnetic compatibility" **2014/30/EU**.
- of May 8, 2000 "relating to the noise emissions in the environment" **2000/14/EC**.
- of June 8, 2011 on the "restriction of use of certain hazardous substances in electrical and electronic equipment" **2011/65/EU**


The following standards have been applied: IEC 62841-1:2014, EN ISO 11806-1:2011, IEC 60335-1:2016, IEC60335-2-100:2002, ISO 11449:1994, IEC 62841-4-2:2017, EN ISO 11680-1:2011, EN 61000-6-3:2007+A1:2011, EN 61000-6-1:2016, EN 50581:2012

RISE SMP Svensk Maskinprovning AB, Box 7035, SE-750 07 Uppsala, Sweden, Box 7035, SE-750 07 Uppsala, Sweden, has performed voluntary type examination on behalf of Husqvarna AB. The certificate is numbered: SEC/19/2539

RISE SMP Svensk Maskinprovning AB has also verified agreement with appendix V of the council's directive 2000/14/EG. The certificate has the number: 01/1610/010

For information relating to noise emissions, Refer to *Technical data on page 14*.

Huskvarna, 2019-12-20



Pär Martinsson, Development manager (Authorized representative for Husqvarna AB and responsible for technical documentation.)



www.husqvarna.com

Original instructions

1142131-26



2019-12-06